

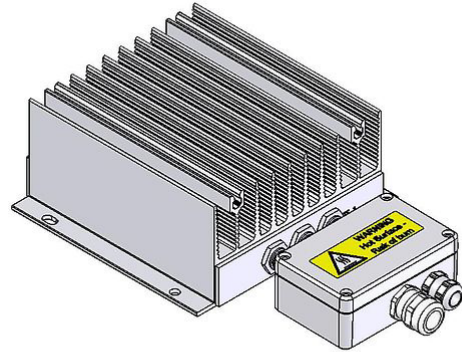
# BONITRON

521 Fairground Court Nashville, TN

Bonitron.com / 615-244-2825

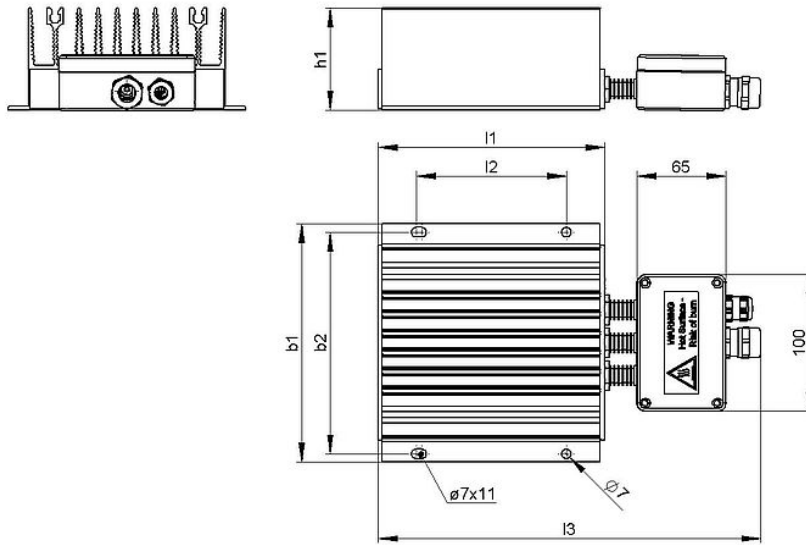
0.6 - 1.875 kW TS

IP 66 Aluminium Resistor with  
Terminalbox /cRUus



BONITRON								
Part Number	Voltage Rating	Nominal Drive HP	Peak Drive HP	Ohms	Peak Watts	Nominal Cont. Power (W) $T_a \sim 40^\circ\text{C}$	Max Brake Pulse Time	Junction Box
RS CRML001HP-66JB-T	230V	1 HP	1.5 HP	125 $\Omega$	1,125 W	600 W	50 Seconds	Yes
RS CRML002HP-66JB-T	230V	2 HP	3 HP	62.5 $\Omega$	2,250 W	600 W	30 Seconds	Yes
RS CRML005HP-66JB-T	230V	5 HP	7.5 HP	25 $\Omega$	5,625 W	600 W	15 Seconds	Yes
RS CRML010HP-66JB-T	230V	10 HP	20 HP	12.5 $\Omega$	11,250 W	1,200 W	15 Seconds	Yes
RS CRRLO20HP-66-T	230V	20 HP	30 HP	6.5 $\Omega$	11,250 W	2,250 W	15 Seconds	No
RS CRMH001HP-66JB-T	480V	1 HP	1.5 HP	500 $\Omega$	1,125 W	1,000 W	50 Seconds	Yes
RS CRMH002HP-66JB-T	480V	2 HP	3 HP	250 $\Omega$	2,250 W	1,000 W	30 Seconds	Yes
RS CRMH005HP-66JB-T	480V	5 HP	7.5 HP	100 $\Omega$	5,625 W	600 W	15 Seconds	Yes
RS CRMH010HP-66JB-T	480V	10 HP	20 HP	50 $\Omega$	11,250 W	1,200 W	15 Seconds	Yes
RS CRRH020HP-66-T	480V	20 HP	30 HP	25 $\Omega$	22,500 W	2,250 W	15 Seconds	No
Resistance Values at 20°C (Ohm)				2.2 - 150		7 - 180		
Tolerance of resistance at 20°C				±10%				
Degree of protection (EN 60529) (in the accordingly screwed on state)				IP 66				
Max. permissible operating voltage				UL 600 / 1000 V				
Cooling				natural convection				
Temperature switch				0.5 ... 1.5 mm <sup>2</sup>				
Operation temperature range				-25 ... +40 °C				
Testing voltage				3.6 kV AC 1 s				
Mounting positions								

Subject to technical modifications



Article-No.		BONITRON		
Type		600 W (above)	1200 W (above)	2250 W (below)
Length [mm]	l1	166	516	668
	l2	110	160	630
	l3	<285	<635	1000
Width [mm]	b1	174	174	175
	b2	162	162	166
Height [mm]	h1	75	75	75
Weight approx. [kg]		3	9	20
Isolation resistance		>10 M Ohm		
Derating horizontal mounting position [%]		20		

